

## Land Rover speedo interface for Terratrip 202+ or 303+

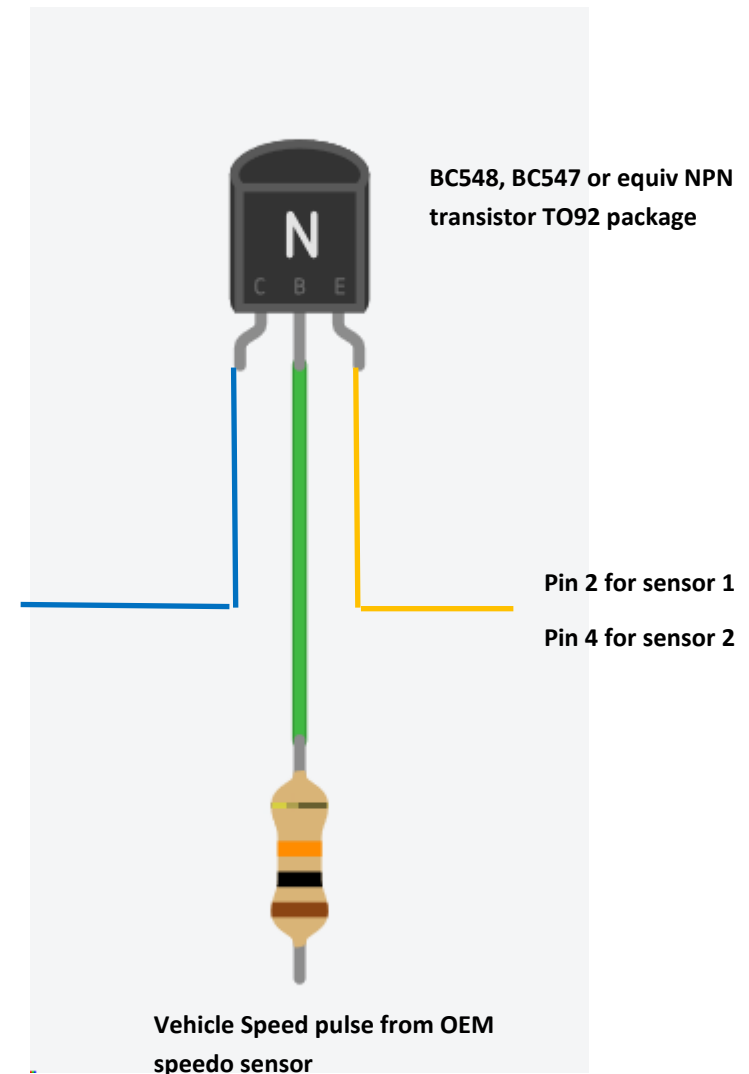
This style as fitted to LT230 transfer boxes.

The circuit will work with many other electronic speedo signal, this type gives out a 5V pk-pk square wave signal



Pin 1 on Terratrip,  
Sensor common

# www.beady.com



1/4W resistor.

Try to use a shielded cable connect shield to pin 11 on the Terratrip 12 pin connector